

# CORNING

## Eclipse® Interbay Dual Storage Unit

P/N 003-497

Issue 4

related literature | Search [www.corning.com/opcomm](http://www.corning.com/opcomm). Click on “Resources.”

### 1. General

This instruction describes the installation of the Eclipse® interbay dual storage unit (IBD).

### 2. Description

The IBD is an accessory that facilitates jumper routing and provides slack storage for fiber.

- It can be attached to the side of a single UDF frame or between two UDF frames.
- It comes equipped with a bottom jumper trough and hubs on the front and the back to store fiber.
- There are also feed-through ports to travel from the front to the back when routing and storing fiber.

### 3. Components

Figure 1 shows the major components of an IBD. Also included with the IBD are:

- Rear mounting brackets (2)
- 12-24 screws (16)
- Galvanized hex bolt (1)
- Galvanized hex nut (1)
- 10-32 nylon hex nut (1)
- 1/4 lock washer (1)
- #10 flat washer (12)

### 4. Tools and Equipment

In addition to the normal supply of tools, a 9/16-in wrench will be necessary.

### 5. Planning

Before you begin your installation, make sure you understand how the unit is to be installed, where the unit will be placed, and how the jumpers will be routed.

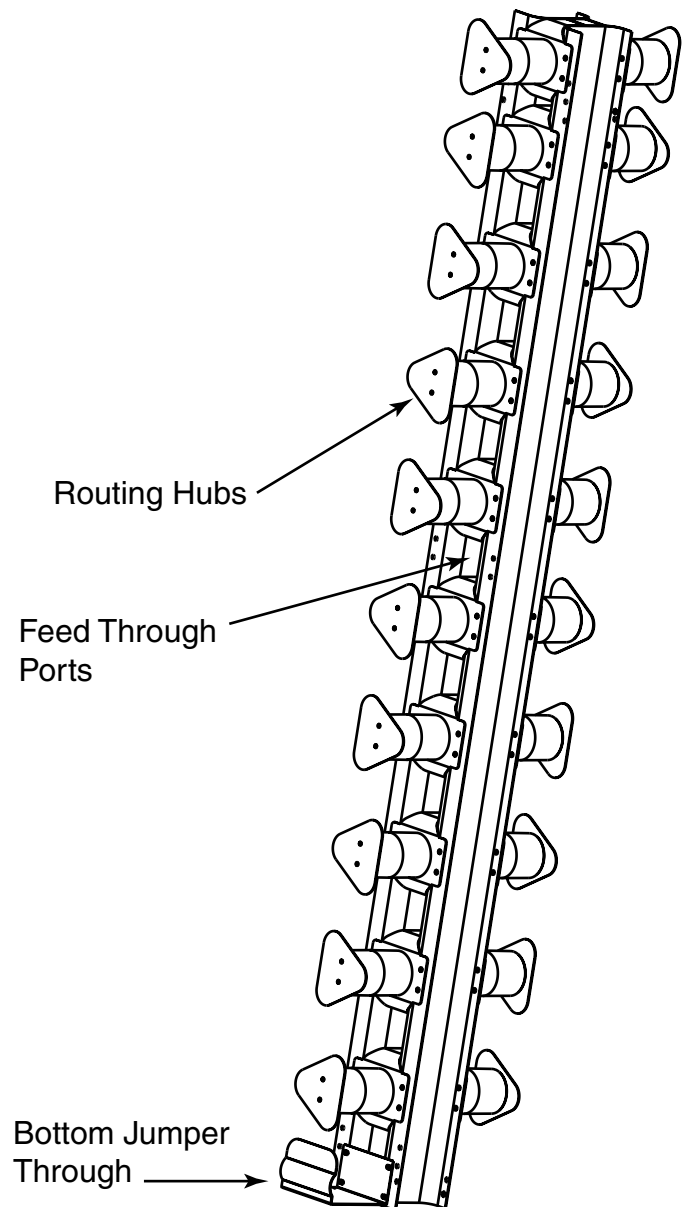


Figure 1

## 6. Installation

### 6.1 Foot Cap Installation

The unit comes with all routing hubs and troughs already assembled. The only assembly required is attaching the unit to the frame.

**Step 1:** The foot extension that comes with the IBD is to be installed first. To do so, remove the two screws on the front of the frame foot cap to remove the cover (Figure 2).

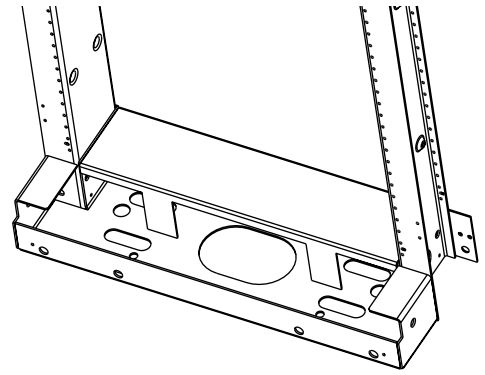


Figure 2

**Step 2:** Remove the foot cap cover for the IBD by removing the screws in the front and the back (Figure 3).

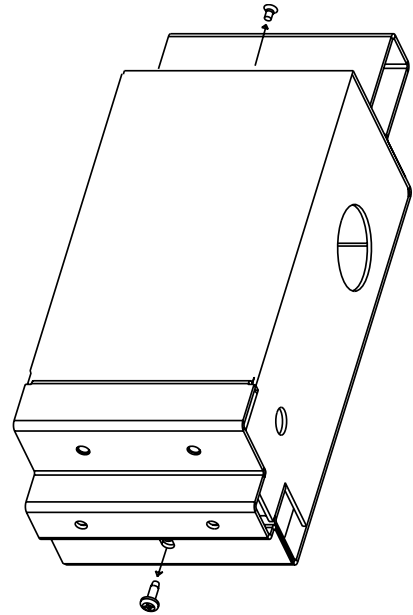


Figure 3

**Step 3:** Use the 3/8-in hardware (galvanized hex nut and hex bolt) to attach the foot caps together (Figure 4).

**Step 4:** Reattach covers to both foot caps.

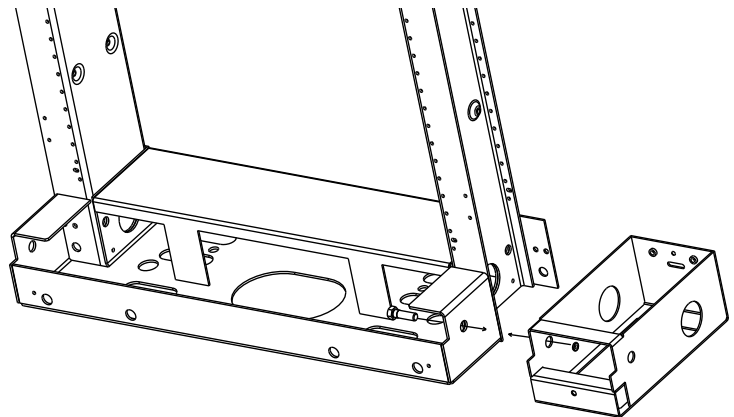


Figure 4

## 6.2 Storage Unit Installation

**Step 1:** Mount the IBD directly to the front flange of the equipment rack in the locations shown in Figure 5. Attach the two together using the 12-24 screws provided.

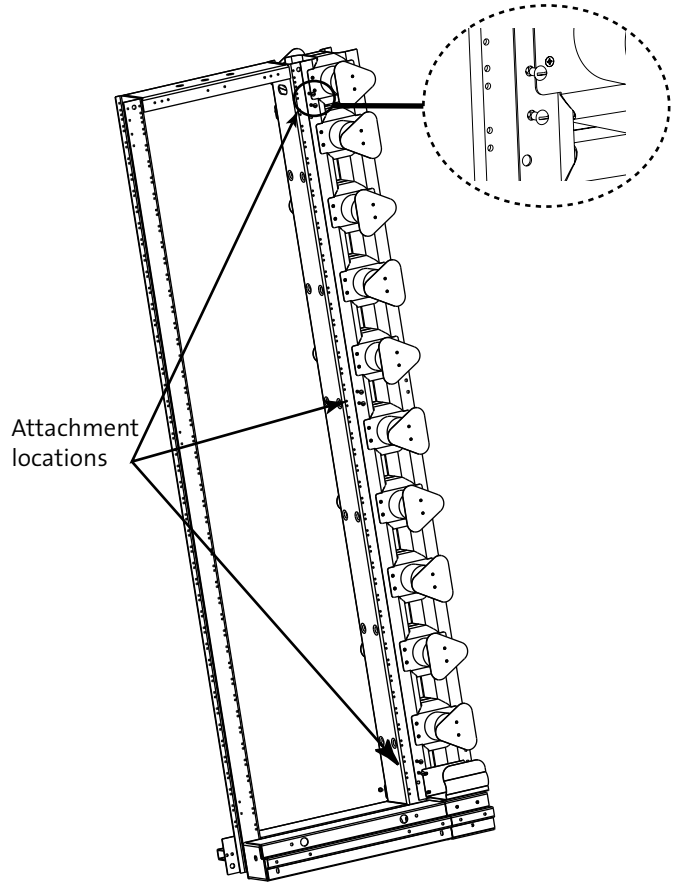


Figure 5

**Step 2:** To increase the stability of the unit, connect the back of the IBD to the back flange of the frame using the rear mounting brackets. Use 12-24 screws to attach the brackets in the locations shown in Figure 6.

**NOTE:** If you are running fiber down the side of the frame in this area, attach the rear brackets after fiber routing is complete (Figure 6).

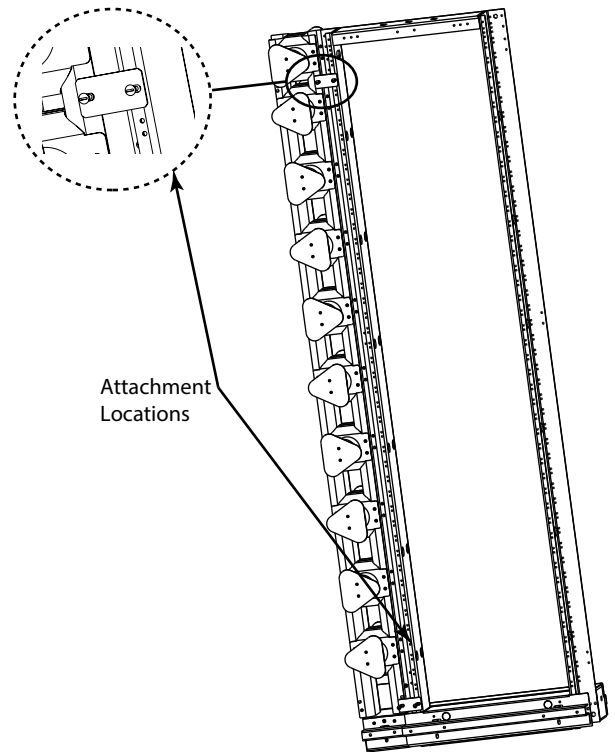
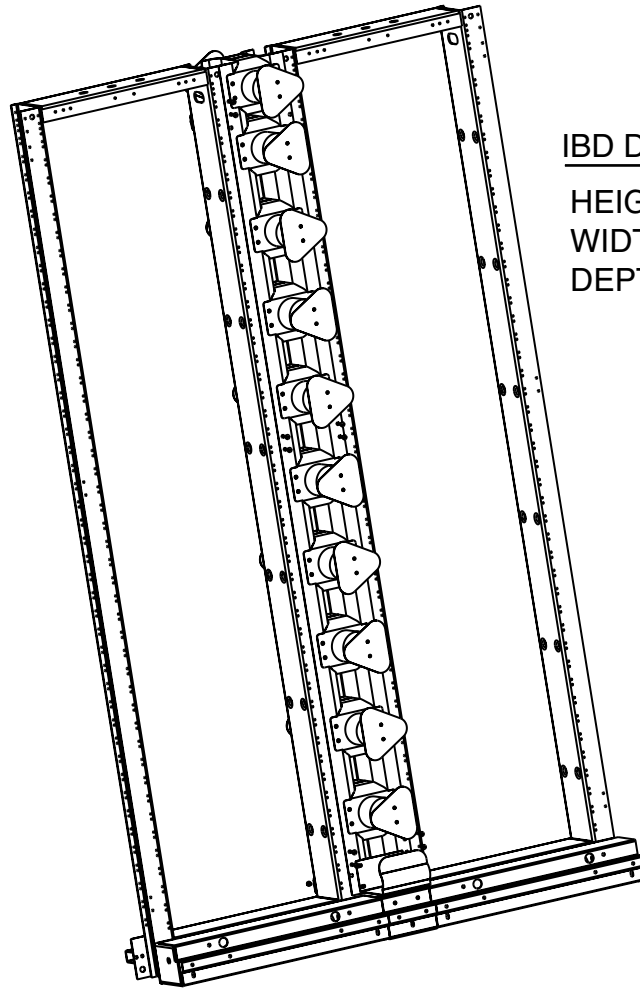


Figure 6



### IBD DIMENSIONS

HEIGHT=84"

WIDTH=5"

DEPTH=15.3"

Figure 7

**Step 3:** If using the IBD between two frames (Figure 7), mount the unit on both sides in the same manner described in Steps 1 and 2.

## 6.3 Cable Routing

There are a number of ways to use the IBD:

- Slack Storage: Store fiber slack by winding excess fiber around the hubs.
- Jumper Management: Use the IBD to route jumpers to different locations within the frame.
- Jumper Troughs: Use the jumper troughs to route fiber from one equipment rack to another.